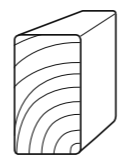
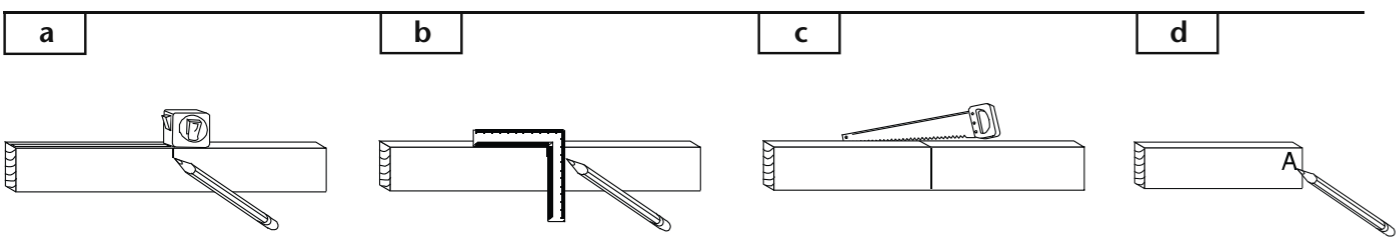
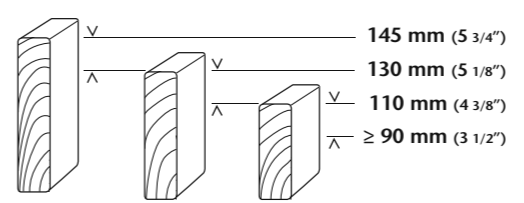
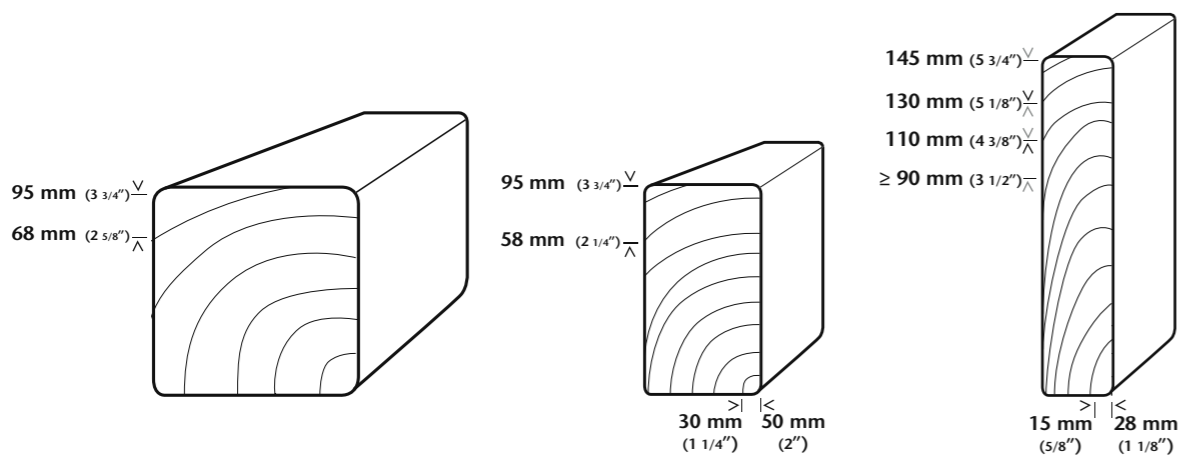


4 x | **A** = 240 cm (94 1/2")



3 x | **B** = 130 cm (51 1/8")  
 9 x | **C** = 110 cm (43 1/4")  
 2 x | **E** = 90 cm (35 3/8")  
 2 x | **F** = 83 cm (32 5/8")  
 1 x | **G** = 60 cm (23 5/8")  
 2 x | **H** ≤ 54 cm (21 1/4")  
 1 x | **I** = 42 cm (16 1/2")



15 x | 18 x | 21 x | **J** = 124 cm (48 7/8")  
 8 x | 8 x | 8 x | **K** = 110 cm (43 1/4")  
 8 x | 10 x | 11 x | **L** ≤ 94 cm (37")  
 17 x | 17 x | 19 x | **M** = 60 cm (23 5/8")  
 2 x | 2 x | 2 x | **N** = 50 cm (19 5/8")

